

Service
Service
Service



Service Manual



CONTENTS

Block diagram 1-1
 Wiring diagram 2-2

Main board

 Circuit diagram 3-1
 Layout diagram 4-1

Key/Display board

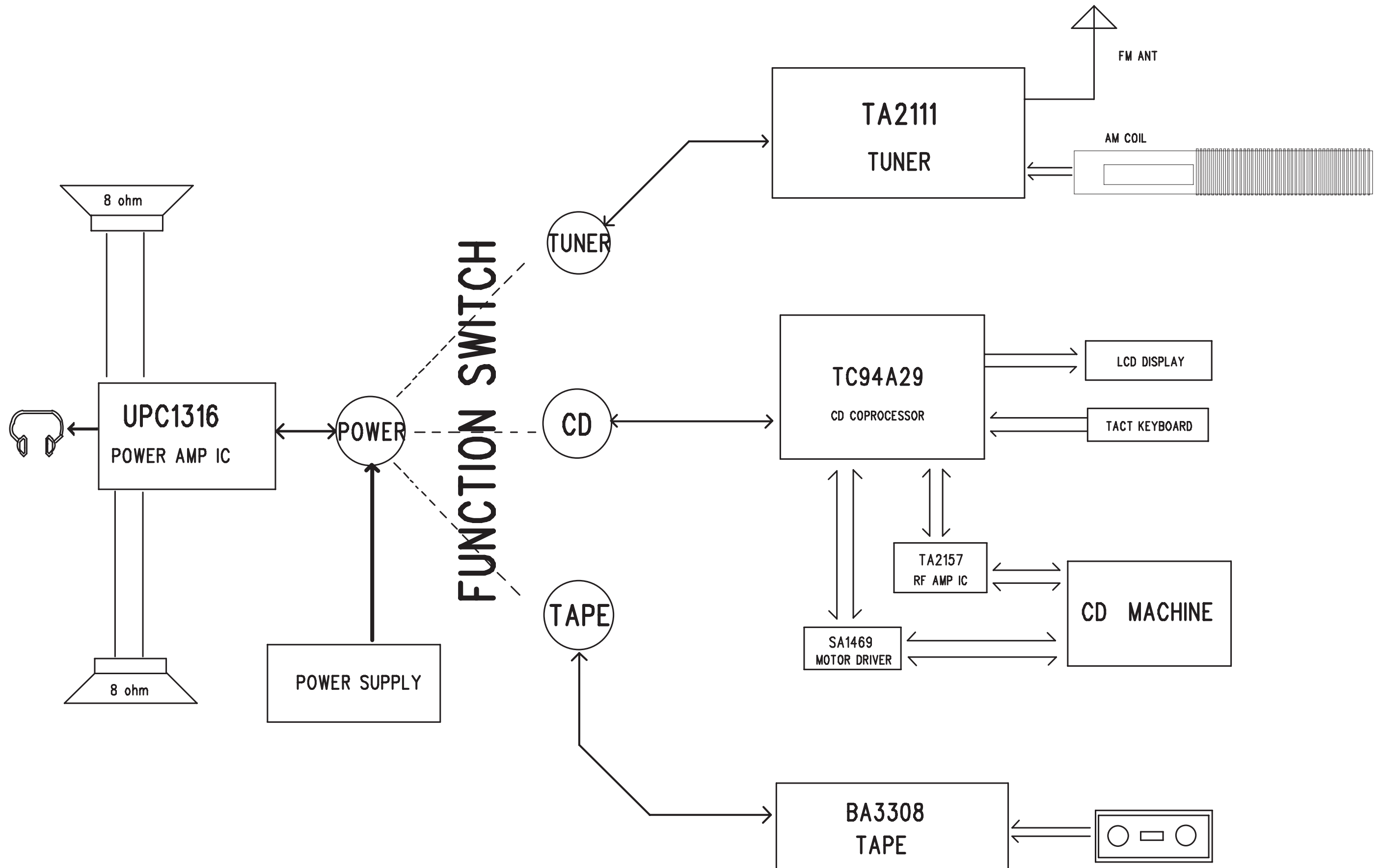
 Circuit diagram 5-1
 Layout diagram 6-1

Service parts list 7-1

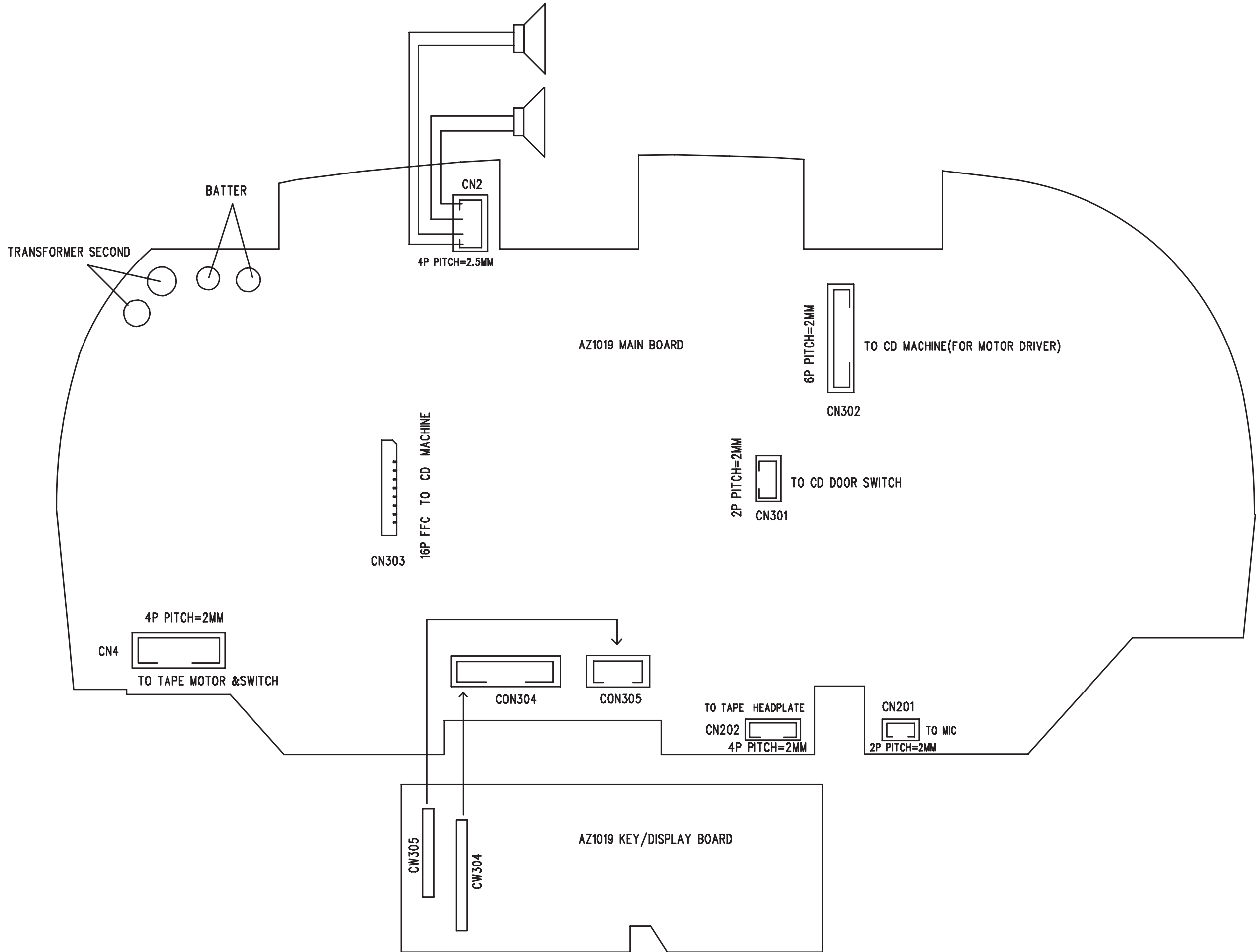
© Copyright 2008 Philips Consumer Electronics B.V. Eindhoven, The Netherlands
 All rights reserved. No part of this publication may be reproduced, stored in a retrieval system or transmitted, in any form or by any means, electronic, mechanical, photocopying, or otherwise without the prior permission of Philips.



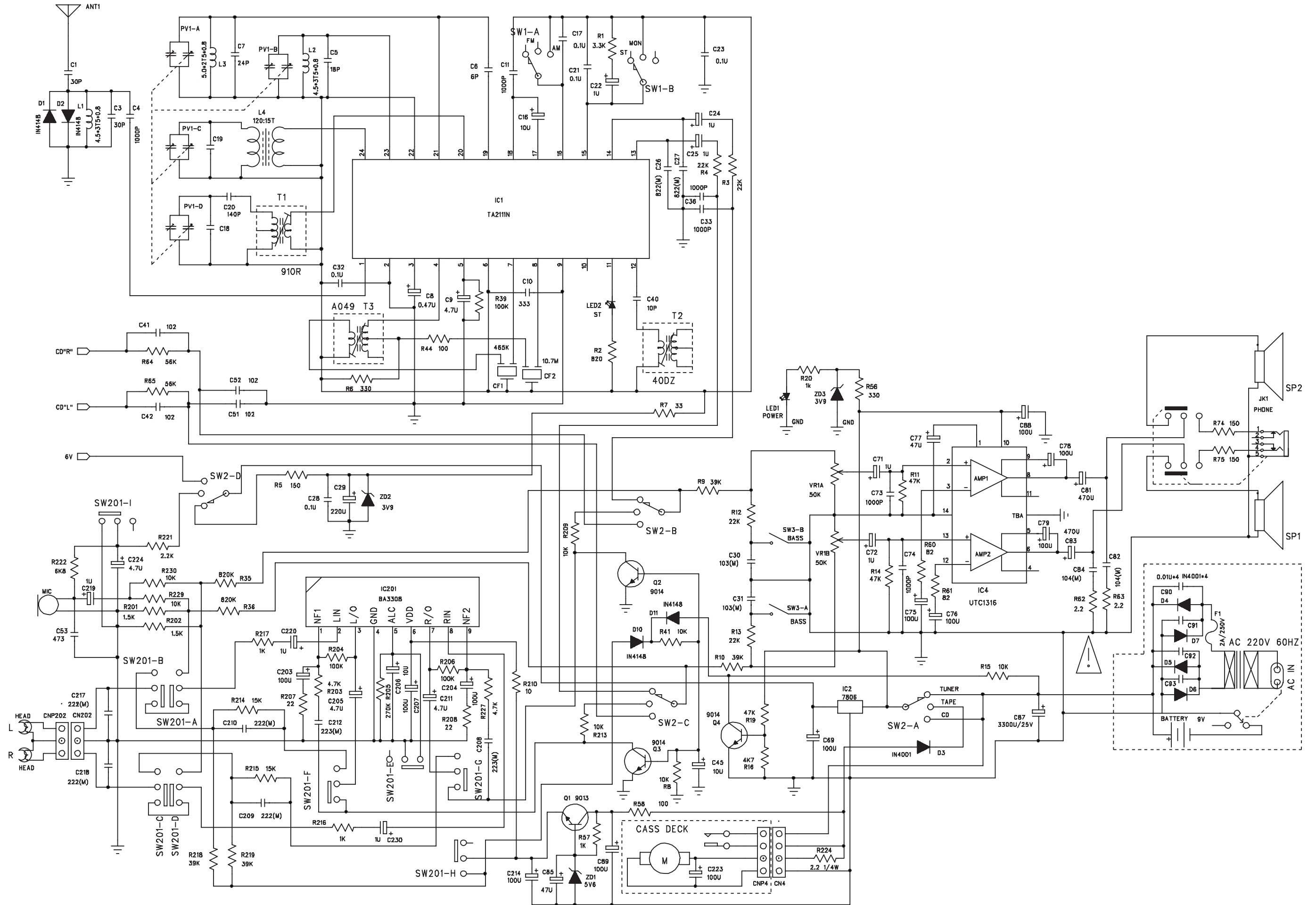
SET BLOCK DIAGRAM



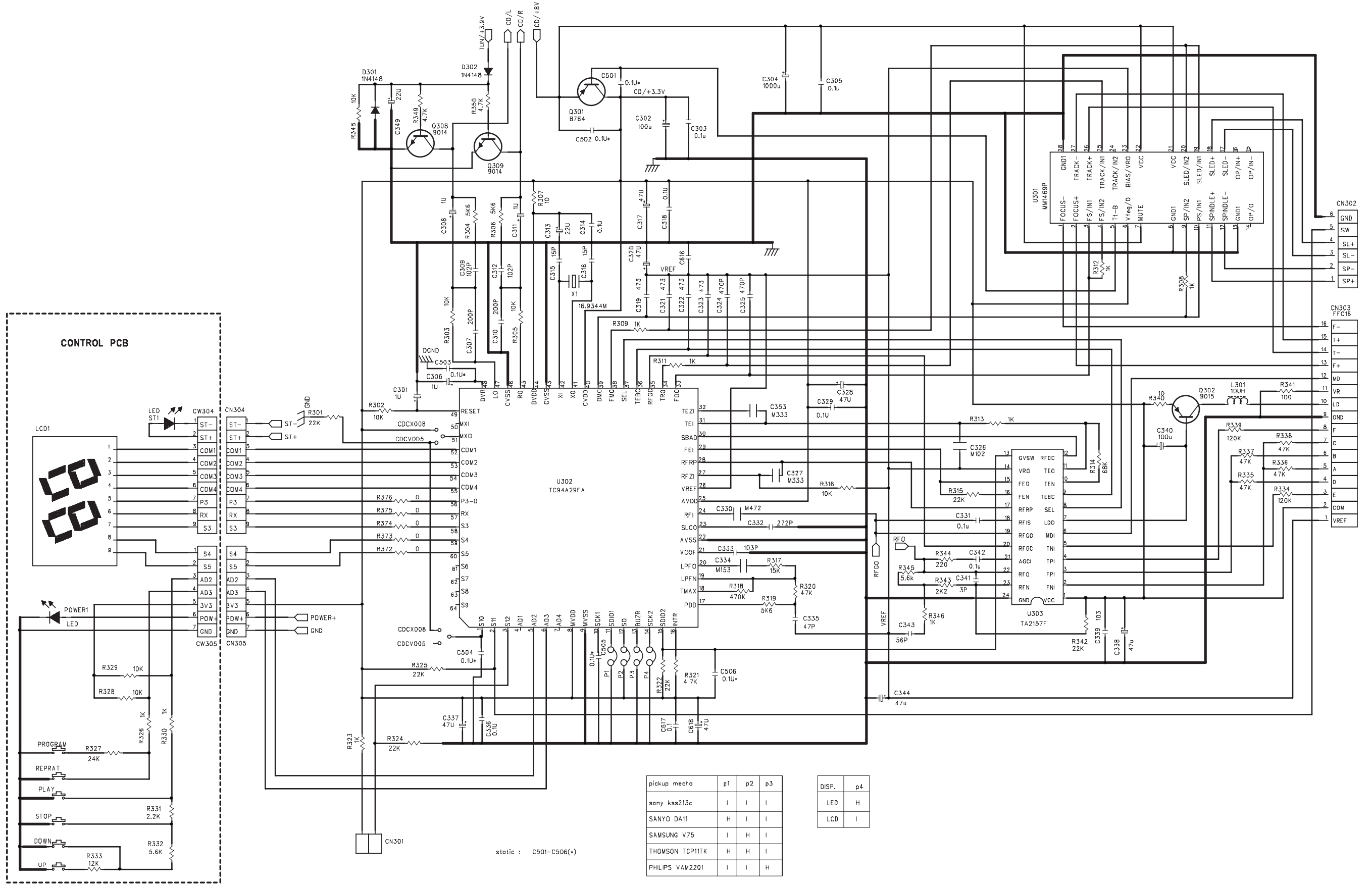
SET WIRING DIAGRAM



CIRCUIT DIAGRAM - MAIN BOARD



CIRCUIT DIAGRAM - KEY/DISPLAY BOARD

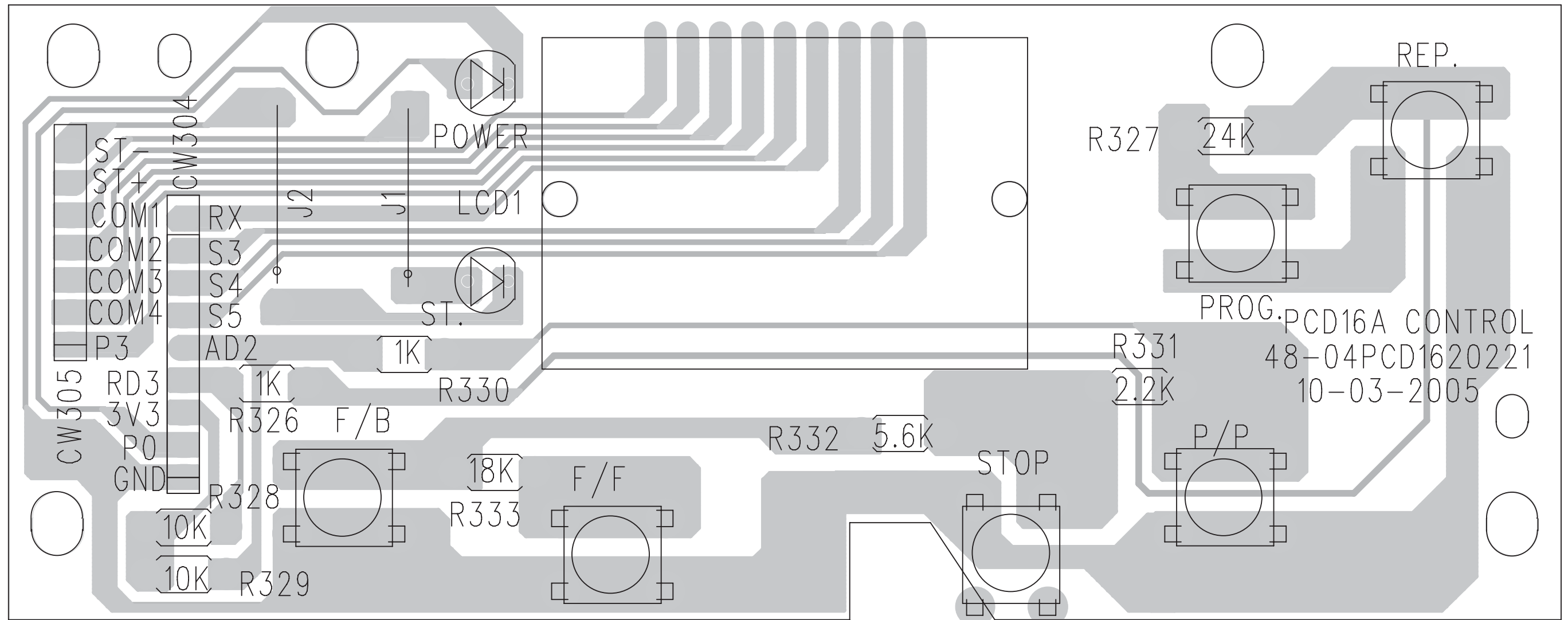


pickup mecha	p1	p2	p3
sony kss213c	I	I	I
SANYO DA11	H	I	I
SAMSUNG V75	I	H	I
THOMSON TCP11TK	H	H	I
PHILIPS VAM2201	I	I	H

DISP.	p4
LED	H
LCD	I

static : C501-C506(+)

LAYOUT DIAGARM - KEY/DISPLAY BOARD



Service parts list

80	996510016220	V/CASS DECK CS-21V-225T
81	994000002031	CD MECHANISM KSM-213CDM
101	996510016217	ROD ANTENNA
134	996510016226	CASS DOOR SPRING R1
135	996510016227	CD DOOR SPRING
184	994000002032	BATTERY DOOR
191	994000002033	CASS DOOR
192	994000002034	CD DOOR
193	996510016221	LASER COVER
196	996510016222	CASS GEAR
197	996510016223	CD GEAR
198	996510016224	GEAR HOLDER-CASS DOOR
199	996510016225	GEAR HOLDER-CD DOOR
200	994000002035	HANDLE
J001	996500040405	16P FFC 1mm L=60mm
S001	996510016219	SPEAKER 2W 8
T001	996510016218	TRANSFORMER EI41 220V 60Hz
J012	996500039076	AC CORD SET KS APP 6FT (BLK)

Note: Only these parts mentioned in the list are normal service parts.